

# SupIR 30-385mm f/5.5, Motorized Continuous Zoom 680459

**NEW**

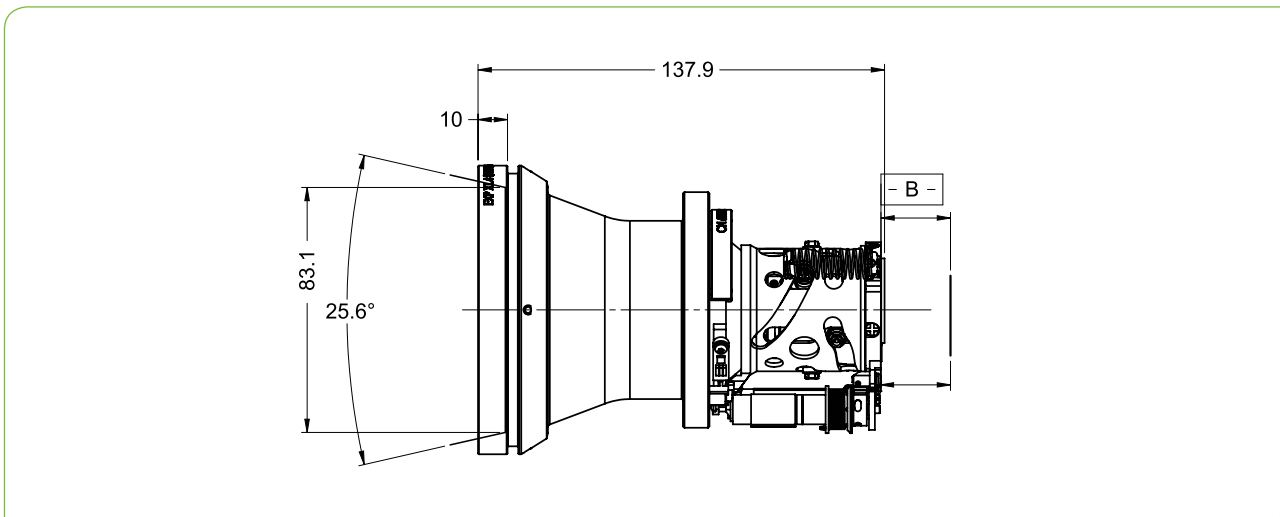


MWIR | ZOOM

WFOV(30mm)	
HFOV	640x512
15μ	18.6°

NFOV(385mm)	
HFOV	640x512
15μ	1.4°

Property	Value	
<b>Optical</b>	<b>WFOV</b>	<b>NFOV</b>
Focal Length	30mm	385mm
F/#	5.5	
Average Transmission (3.6-4.9μm)	90% (HD)	
Cold Stop to FPA Distance	19.7mm	
Cold Stop CA	Ø3.52mm	
Back Focal Length	23.7mm in air	
Minimum Focus Range	5m	70m
Nuc (by defocus)	Yes	
<b>Mechanical</b>		
Focus Mechanism	Motorized	
Focus Time (minimum range to ∞)	≤8 sec.	
Zoom Mechanism	Motorized	
Zoom Time (NFOV to WFOV)	≤5 sec.	
Weight	740gr	
Max. Dimensions	Ø98X137.9mm	



MWIR | ZOOM

Property	Value
<b>Electrical</b>	
Lens Control	Designated lens controller
Supply Voltage	12V
Current Consumption	0.5A average, 1.0A peak at T = -32°C; 0.2A average, 1.0A peak at T ≥ 20°C
Communication Protocol	RS485, RS422
<b>Environmental</b>	
Operating Temperature	-32°C to +70°C
Storage Temperature	-54°C to +85°C
Sealing	IP 67 front element only
<b>Configurations</b>	
680459-001	High Durability
680459-002	Low Reflection Hard Carbon**
680459-004	Hard Carbon

\* NOTE: The ICD drawing provided here is primarily a representation and may not accurately reflect the product's actual dimensions and specifications. For precise integration specifications contact your local sales representative.

\*\* For detailed LRHC coating specifications see page 13